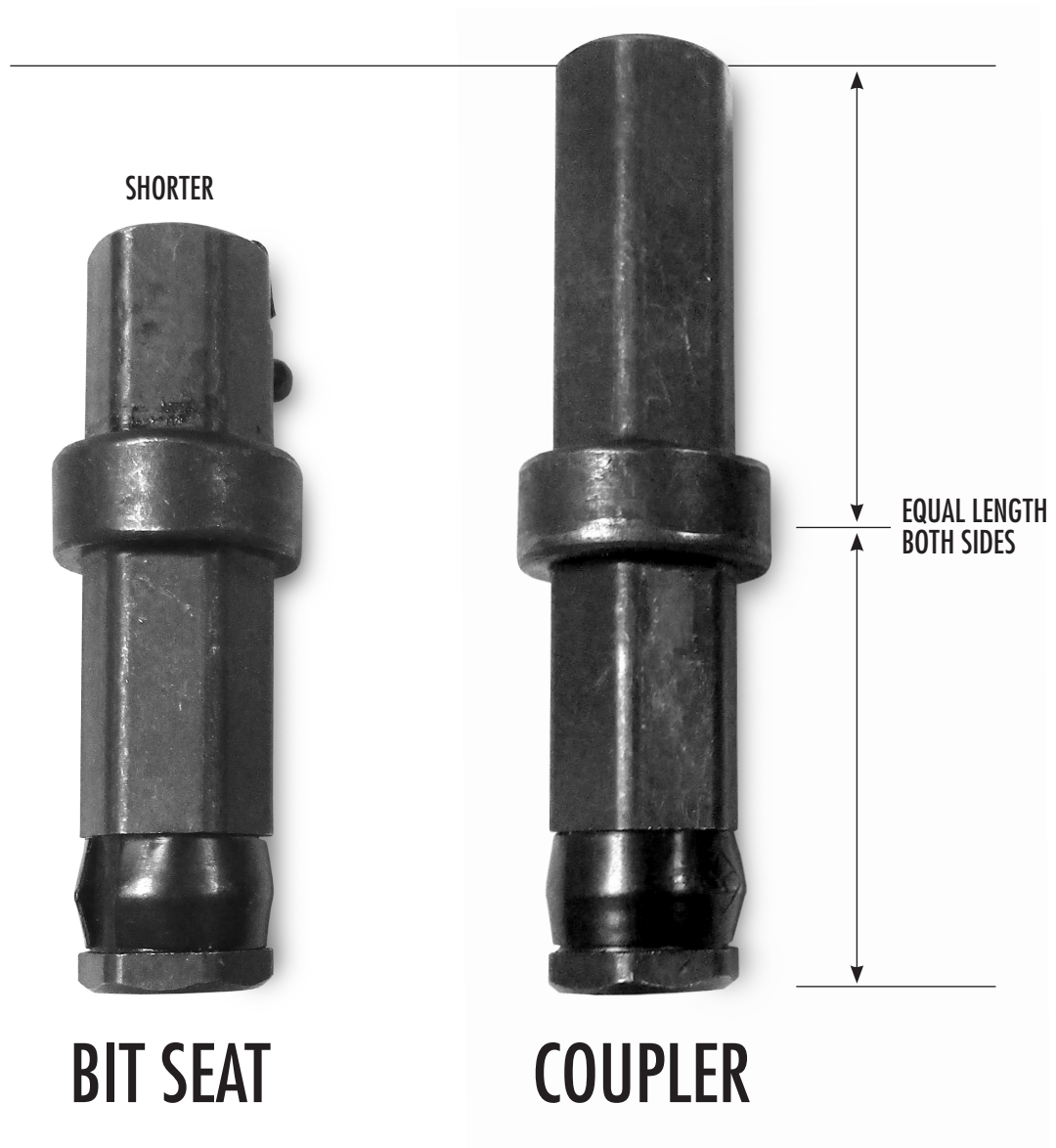


SAFETY BULLETIN

DO NOT USE BIT SEATS AS COUPLING DEVICES

A Bit Seat is not designed to be used as a coupling device. JENNMAR McSweeney recommends that Bit Seats be used only to attach a bit and that a Coupler be used to couple steel together. A Coupler is specifically designed to couple steel together.

NOTE THE DIFFERENCES BELOW:



JENNMAR McSweeney • (740) 377-3354